

The wise choice



Micro-Tronics

for all your filter needs

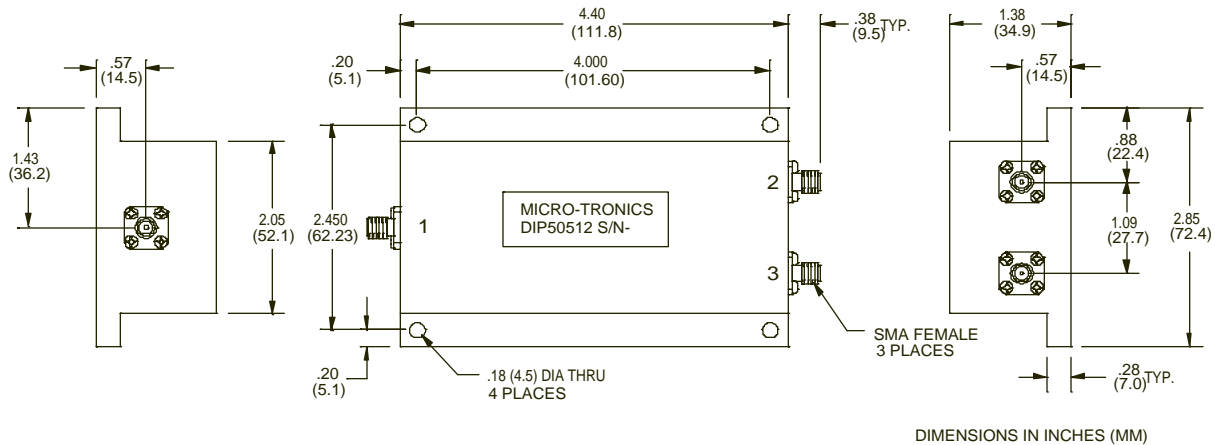
Micro-Tronics is an operating division of O.M. Jones, Inc.

Telephone: 209-532-1008

Facsimile: 209-532-1009

e-mail: sales@micro-tronics.net

Model DIP50512



Micro-Tronics Model DIP50512 was specifically designed to pass 1920-1980 MHz and 2110-2170 MHz (UMTS band) while maintaining low insertion loss and sharp rejection. The basic Diplexer design can also be adapted to custom applications.

Specifications:		
Passband (MHz)	1920-1980	PORT 1-2
Passband (MHz)	2110-2170	PORT 1-3
Passband Insertion Loss:	1.0 dB maximum	PORT 1-2
Passband Insertion Loss:	1.0 dB maximum	PORT 1-3
Passband VSWR:	1.5:1 maximum	PORT 1
Isolation:	60 dB minimum, 2110-2170 MHz	PORT 1-2
Isolation:	60 dB minimum, 1920-1980 MHz	PORT 1-3
Operating Power:	2 W CW	

Connectors:

Model #:	Port 1	Port 2,3
DIP50512:	SMA Female	SMA Female
DIP 50512-01:	SMA Male	SMA Female
DIP 50512-02:	SMA Female	SMA Male
DIP 50512-03:	SMA Male	SMA Male